

Lascal® KiddyGuard® avant™

Owners manual
Návod na používání
Brugsanvisning
Gebrauchsanleitung
Εγχειρίδιο
Manual del propietario
Käyttöohje
Manuel d'utilisation
Használati utasítás
Manuale utente
Instrukcja obsługi
Руководство для владельца
Handleiding
Užívateľská príručka
Navodila za uporabo
Bruksanvisning



www.lascal.net

For fitting instructions :
visit : www.kiddyguard.com

EN

CZ

DA

DE

EL

ES

FI

FR

HU

IT

PO

RU

NL

SK

SL

SV

ENGLISH

Dear Customer, Thank you for choosing a KiddyGuard® Avant™ from Lascal. We hope you are delighted with your purchase and enjoy the protection it gives small children.

KiddyGuard® Avant protects door or stair openings between 20 to 120cm (8-48 inches) wide.

Index

Warnings and Safety Information	2
Parts of the KiddyGuard® Avant™.....	3
Location for Use	3
Attaching the Gate Housing	4
Attaching the Locking Strip.....	4
How to Operate	5
Accessories	5
Material Composition	6
Cleaning Instruction	6
Warranty	6
Safety Standards and Tests	6
Other Lascal Products	82-85
Contact Information	85-86
Product Registration Card.....	86-87

IMPORTANT ! READ AND FOLLOW THESE INSTRUCTIONS CAREFULLY AND KEEP FOR FUTURE REFERENCE

⚠ WARNING !

SAFETY INFORMATION

This product complies with both European Standard prEN1930:2020 and US Safety Standard ASTM F1004-19 and the warnings are in accordance with these Standards.

WARNING - Incorrect Installation can be dangerous.

WARNING - Do not use the safety barrier/gate if any components are damaged or missing.

WARNING - The safety barrier/gate must not be fitted across windows.

WARNING - STOP using the barrier/gate if the child is capable of climbing over or dislodging it.

WARNING - NEVER use to keep child away from pool.

WARNING - Children have died or been seriously injured when barrier/gate are not securely installed. ALWAYS install and use barrier/gate as directed using all required parts.

WARNING - Always check that the barrier is properly closed.

This safety barrier/gate is for indoor domestic use only.

To prevent serious injury or death, securely install and position the KiddyGuard® Avant and use it according to these instructions.

The KiddyGuard® Avant should not be subject to mechanical damage e.g. hitting it with sharp, hard objects or scratching from pet claws or pulling up or down on it, as this will cause damage.

When fitted in place, check the barrier to ensure that it is properly fixed and secure.

The KiddyGuard® Avant has a manual closing system.

The KiddyGuard® Avant has both manual and automatic locking system.

The KiddyGuard® Avant general condition and safety mechanism should be checked periodically, with particular reference to the security of attachments and operation of the locking device, in accordance with these instructions.

Do not allow adults, children or pets to climb over or under the safety barrier, it may damage or dislodge the gate and cause injury.

For US, Suitable for children 6-24 months of age.

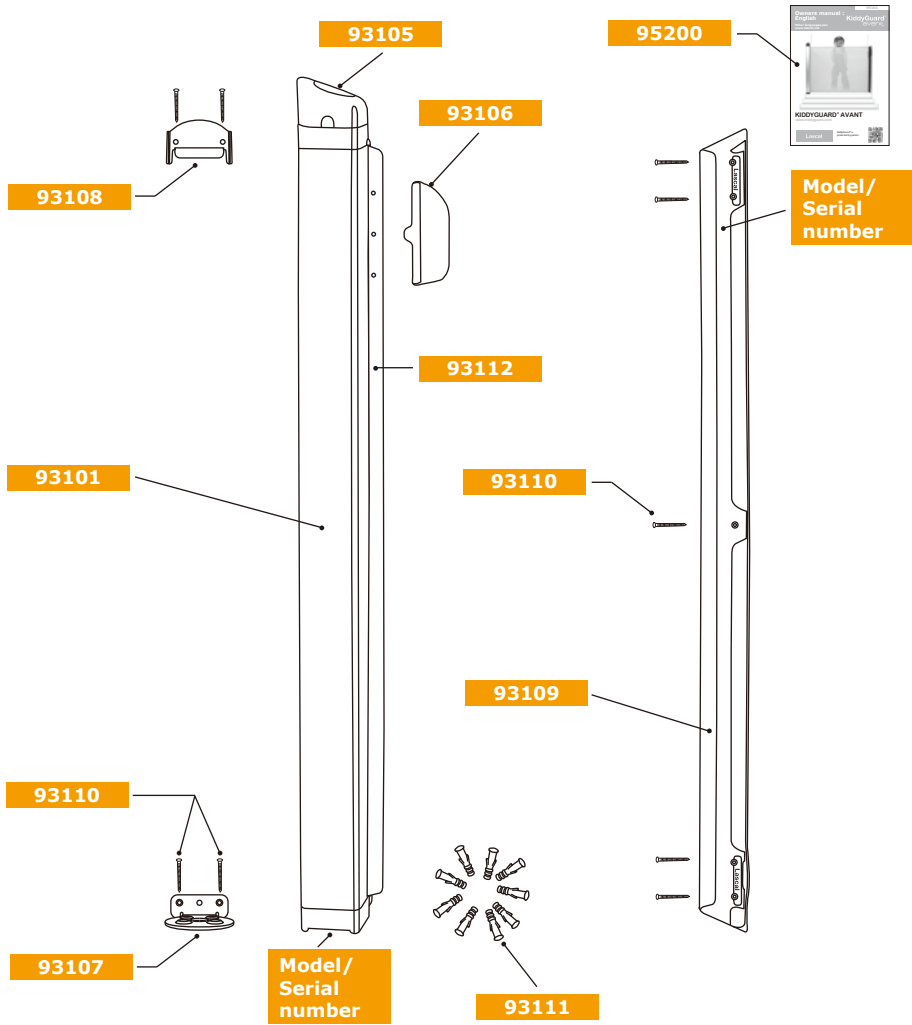
For EU, suitable for children up to 24 months of age.

This product will not necessarily prevent all accidents. Never leave your child unattended.

Additional and replacement parts should only be obtained from the Manufacturer or Distributor.

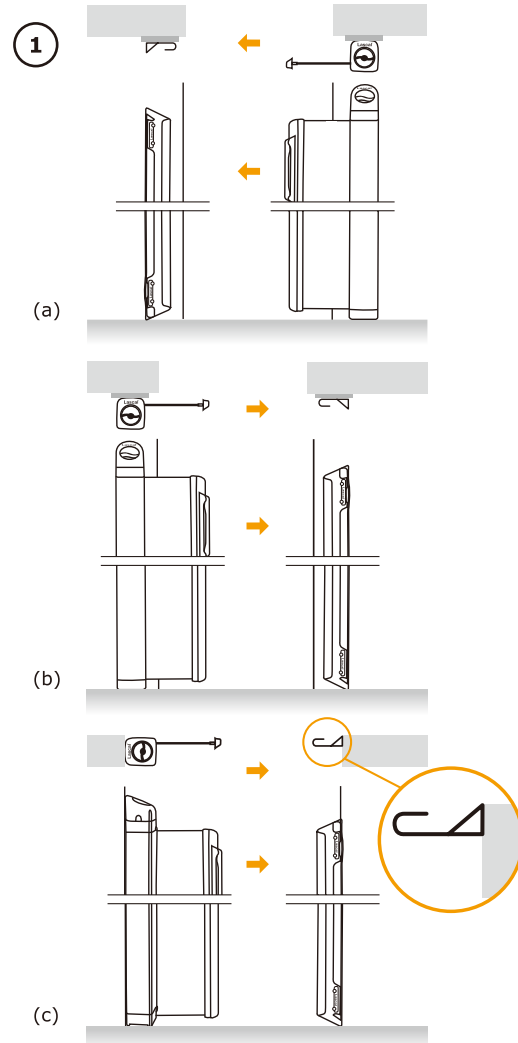
EN

KIDDYGUARD® AVANT™ PARTS



Part No.	Quantity	Description
93101	1	Gate Housing
93105	1	Top Cover (attached to gate housing - removable) Black / 93221 White
93106	1	Handle Black / 93222 Handle White
93107	1	Bottom Bracket
93108	1	Top Bracket
93109	1	Locking Strip
93110	9	Wood Screws
93111	9	Rawplugs/Plastic Anchors
93112	1	Locking Rod (attached to mesh - non removable)
95200	1	Manual KiddyGuard®

LOCATIONS FOR USE



1. Decide whether the KiddyGuard® Avant will attach.

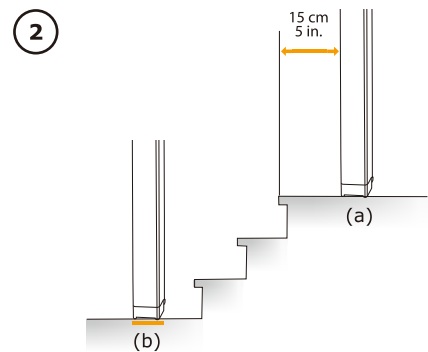
a) To the wall to the right and in front of the opening/stairways. Fig 1a.

OR

b) To the wall to the left and in front of the opening/stairway. Fig 1b.

OR

c) Within the opening/stairway, to either the right/left. Fig 1c.



2. Use at top or bottom of stairs

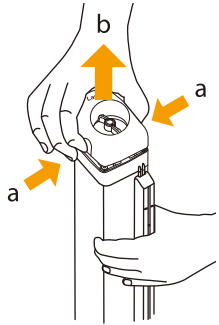
a) TOP of stairs - Base of KiddyGuard® Avant must be at floor level and 15 cm/6 inches back from the top step. Fig 2a.

OR

b) BOTTOM of stairs - Base of KiddyGuard® Avant must be positioned at the front of the lowest tread possible. Fig 2b.

ATTACHING THE GATE HOUSING

3



3. Remove the Top Cover

- Squeeze the base of the cover
- Lift

4. Fit the Gate Housing

- Decide position as per the options in Figure 1.
- Attach the bottom bracket flush with the floor ensuring the screw holes are aligned horizontally.

When attaching to:

Wood - Use the screws provided. Drill pilot holes before tightening the screws.

Concrete/brick - Use the screws+rawl plugs/plastic anchors provided. Drill hole 6 mm, (1/4 in). Insert rawl plugs/plastic anchors flush with wall and then tighten screws.

Other wall materials - use an appropriate fixing system.

Bannister - use the Bannister Installation Kit. See Accessories.

- Slide Gate Housing onto bottom bracket. (check the mesh pulls out in the required direction).
- Slide Top Bracket firmly onto the top of the Gate Housing.**
- Ensure the Gate Housing is vertical and mark the locations for the screw holes. Remove the Gate Housing and drill the holes according to (b) then slide the Gate Housing back onto the Bottom Bracket and fix the screws see (b).

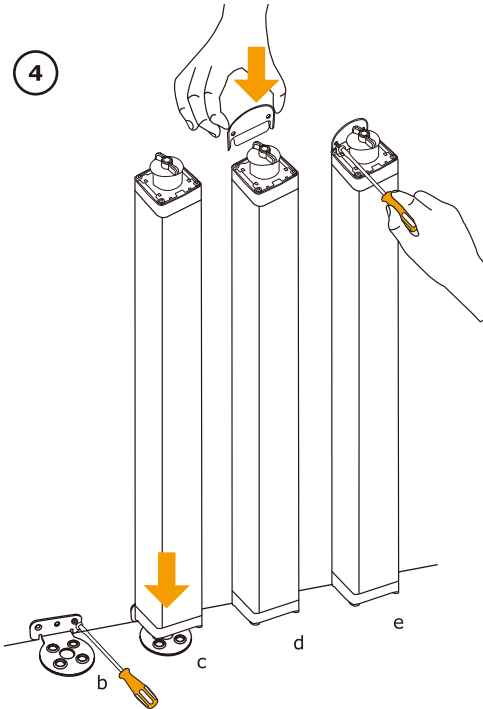
Make sure that the gate is mounted firmly and vertically.

N.B. If there is a **Skirting/Baseboard** on the wall to which the housing is to be attached, a **Wall Installation Kit (WIK)** is available as an accessory, see page 8. Alternatively can a piece of wood, the thickness of the **Skirting/Baseboard**, be positioned between the Top Bracket and the wall.

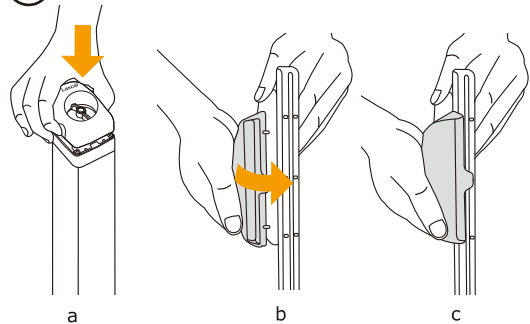
5. Attach Top Cover and Handle

- Push the Top Cover firmly back onto the Gate Housing, with the high side flush to the wall.
- Pull out a portion of the mesh (see Fig. 8b). Align tabs on Handle with holes on Locking Rod. (5b)
- Rotate Handle back until it snaps into place. (5c)

4

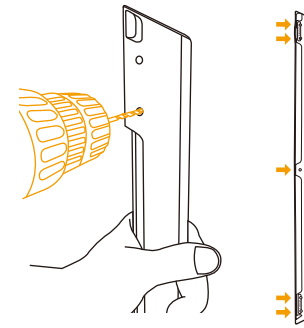


5

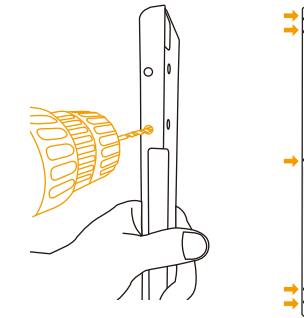


ATTACHING THE LOCKING STRIP

6



(a)



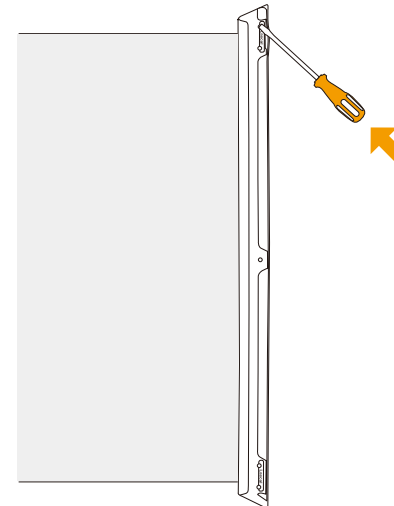
(b)

6. Prepare the Locking Strip

Drill five holes at the points marked on the Locking Strip according either:

- When attaching the Locking Strip TO THE WALL, as shown in Fig 1a and 1b, please follow Fig 6a to prepare the Locking Strip. Identify the five hole markers on the wide surface of the Locking Strip. Use a power drill with a 4mm, (1/6 in) drill bit and drill out the five holes.
- When attaching the Locking Strip INSIDE AN OPENING, as shown in Fig 1c, please follow Fig 6b. To prepare the Locking Strip, identify the five hole markers on the edge of the Locking Strip. Use a power drill with a 4mm, (1/6 in) drill bit to drill out the five holes

7



7. Attach the Locking Strip

Release and pull out the gate, see "How to operate", Fig 8b.

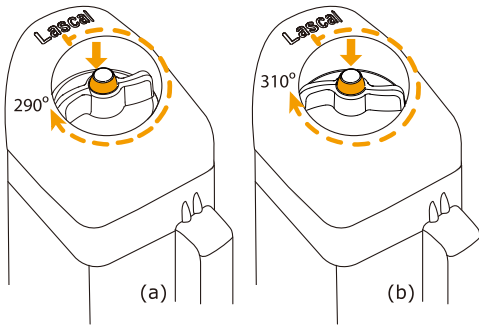
Hook the Locking Rod onto the Locking Strip, and hold it against the wall/bannister against which it is to be mounted. It is essential that the mesh is evenly stretched across the opening, with no sagging at either the top or bottom.

Attach the Locking Strip to the wall by marking through the holes of the Locking Strip to identify where screw holes should be drilled. See Fig. 4 to determine how to screw the Locking Strip to different wall materials.

If there is a **Skirting/Baseboard** on the wall to which the Locking Strip is to be attached, a **Wall Installation Kit (WIK)** is available as an accessory, see page 8. Alternatively can a piece of wood, the thickness of the **Skirting/Baseboard**, be positioned between the Locking Strip and the wall.

HOW TO OPERATE

8



8. Locking System

Locking/Unlocking options:

- Timed lock** - Push and turn the locking button clockwise up to 290°. You will have a few seconds to draw the gate open and closed before it locks. TIP: The more you turn the button up to 290°, the more time you will have to close or open the gate.
- Manual lock** - Push and turn the locking button clockwise through to 310°. The gate will be permanently free to open or close, with no time limitation. The gate will not lock until you turn the locking button anti-clockwise, back beyond the 290° position for timed locking or back to 0° for immediate locking.

NOTE

The Lock Indicator shows red when the gate is unlocked and does not provide a protective barrier.

The KiddyGuard® Avant is easy to operate single-handed.

9. To close the KiddyGuard® Avant

- Push down the button on the top of the gate.
- Turn the button clockwise. see Fig 8.
- Use the Handle to pull the gate across and hook it onto the Locking Strip. see Fig 10.

IMPORTANT

AFTER CLOSING THE KIDDYGUARD® AVANT, ALWAYS CHECK THAT THE GATE IS LOCKED BY PUSHING GENTLY AGAINST THE MESH.

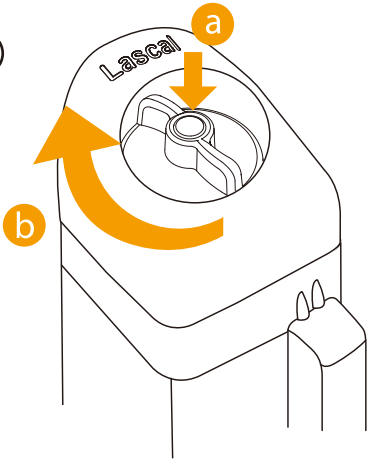
10. To open the KiddyGuard® Avant

Release the gate by repeating the operations 9a and 9b. Unhook the gate and let it roll up.

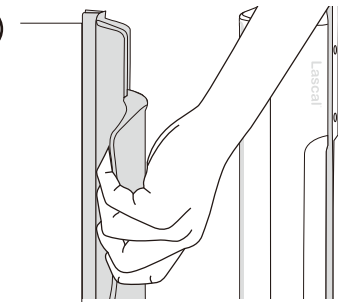
IMPORTANT

CONTINUE TO HOLD THE HANDLE WHILE THE GATE ROLLS UP.

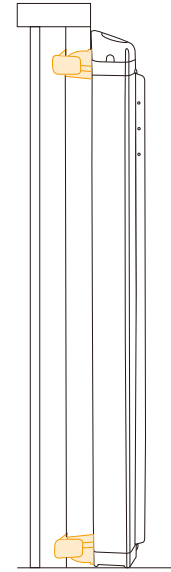
9



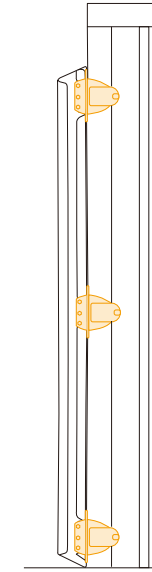
10



ACCESSORIES



BIK Gate Housing



BIK Locking Strip

Bannister Installation Kits

The Gate Housing and the Locking Strip can be attached directly to the bannister by using one or both of the following bannister kits:

Bannister Installation Kit (BIK) for the Gate Housing.

Item No. 12566 (black)
Item No. 12567 (white)


Bannister Installation Kit (BIK) for the Locking Strip.

Item No. 12561 (black)
Item No. 12563 (white)


Bannister Dimensions:

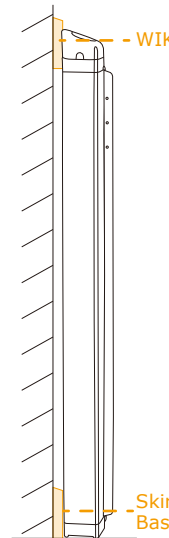
Both Bannister Installation Kits can be used on round or square bannisters with the following dimensions.

Circular bannisters:

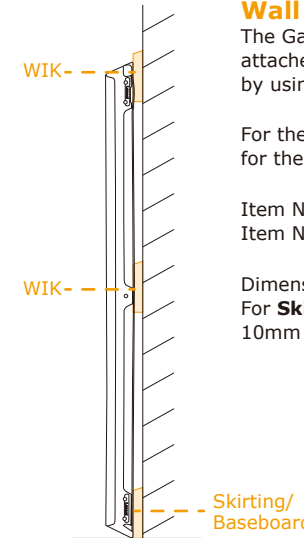
	Minimum 14mm 7/16"	Maximum 50mm 2"
---	--------------------------	-----------------------

Square bannisters:

	Minimum 14 x 14mm 7/16" x 7/16"	Maximum 50 x 50mm 2" x 2"
---	---------------------------------------	---------------------------------



WIK used for Gate Housing / Locking Strip



Wall Installation Kit (WIK)

The Gate Housing and the Locking Strip can be attached on walls with **Skirting/Baseboard** by using WIK.

For the Gate Housing is one WIK set needed and for the Locking Strip is two WIK needed.

Item No. 12564 (one set) black
Item No. 12565 (one set) white

Dimensions

For **Skirting/Baseboard** between
10mm (3/8") - 19mm (3/4")

MATERIAL COMPOSITION OF THE KIDDYGUARD® AVANT™

The plastic parts are made of Polyamide (PA6) Polyoxymethylene (POM), Polypropylene (PP) and Polyester(PE). The body of the KiddyGuard® Avant™ is made of Aluminium. The materials are chosen for their strength and resistance. All parts are non-toxic and can be recycled. The mesh of the KiddyGuard® Avant™ is flameproof.

CLEANING INSTRUCTIONS

All parts of the KiddyGuard® Avant™ can be cleaned with a mild, liquid household detergent on a damp cloth. Do not use chlorine or abrasive powder.

ONE YEAR WARRANTY

Your KiddyGuard® Avant™ is guaranteed to be free from manufacturing defects for a period of one year from date of purchase, when used under normal conditions and in compliance with this Owner's Manual. This warranty extends only to the original retail purchaser and is only valid when supplied with proof of purchase.

SAFETY STANDARDS AND TESTS

Your KiddyGuard® Avant™ meets or exceeds the following standards U.S. Safety Standard ASTM F1004-19 and European Safety Standard prEN1930:2020

All components are tested and meet the standard for children products according to CPSIA (USA) and REACH (EU)



Lascal[®]

For forward
thinking families

Lascal[®]
MI[™] Carrier

Lascal[®]
MI[™] Buggy

Lascal[®]
BuggyBoard[™]
maxi+



m1™ Buggy

Your buggy your way

Pushing a buggy should always be this easy. The unique M1 buggy has rotatable handles with three different angles, each with two grip positions for the best, smoothest ride ever.

Handy height adjustment. Adjust the handles to suit you, with two different heights available. Choose between 12 handle positions, and swap mid-flow to suit your environment and stay in control at all times.

Space and height for taller people. Flexible handle adjustment means you can tailor the buggy to your height, even if you're taller. Rotating handles help you tweak the angle to suit your stride, including if you have a BuggyBoard® attached.

A comfortable seat. Designed for baby and parent alike, the M1 buggy® is completely comfortable for your little passenger. It's perfect for children up to 6 years old, or weighing up to 22kg.

Simply slot on your BuggyBoard®. Integrated connectors enable you to fix your BuggyBoard® onto the M1 buggy™ fast. Suitable for all BuggyBoard® models, it gives you the flexibility you need wherever you are.

Ready for anything. UV protection fabric, a pull-down canopy, and an integrated windbreak in the hood make the buggy perfect for any weather. Plus, used in a cover position, the canopy gives your child a little shade to sleep.



Lascal
KiddyGuard[®]
assure



Lascal
KiddyGuard[®]
accent



Lascal
KiddyGuard[®]
avant

It's all about the design

Discreet, fully secure and innovative, the KiddyGuard[®] gives you a stylish alternative to other child gates. White or black mesh slides beautifully into a brushed aluminium housing. Completely child-proof when locked in place, and invisible when open, this unique guard won't clutter your home. And because it fully retracts when open, you won't trip over it either.

Choose your perfect fit

assure™ Simple, effective design, without a housing

accent™ Features a rounded, aluminium housing

avant™ Extra length for wider openings, with a square aluminium housing and an advanced locking system



OTHER LASCAL PRODUCTS



Lascal® M1™ Carrier

The ergonomic carrier that keeps your baby close and comfortable

Innovative and ergonomic, the Lascal M1 Carrier makes travelling with your baby easy. A special infant seat adapts the carrier for newborns weighing 3.5kg (12lb), right up to 3-4-year-olds weighing 15kg (33lb.)

www.lascal.net

not sold in all countries.

CONTACT INFORMATION (A-L)

Albania

Kidscom SA
finance@kafounis.gr
www.kafounis.gr

Czech republic

VISPA Nachod sro
info@vispa.cz
www.vispa.cz

Iceland

Fifa / Orninn
gudrun@fifa.is
www.fifa.is

Australia

CNP Brands
info@cnpbrands.com.au
www.cnpbrands.com.au

Denmark

Nordideen GmbH & Co. KG
frommhagen@nordideen.de
www.nordideen.de

Ireland

Cheeky Rascals Ltd.
info@cheekyrascals.co.uk
www.cheekyrascals.co.uk

Austria

Nordideen GmbH
info@nordideen.de
www.nordideen.de

Estonia

Tootiny
biuro@tootiny.com
www.tootiny.com

Israel

Trulo Israel Ltd
pegil@netvision.net.il
www.babysafe.co.il

Belgium

Hebeco BVBA
info@hebeco.be
http://www.hebeco.be

France

Gamin-Tout-Terrain
contact@gamin-tout-terrain.com
www.gamin-tout-terrain.com

Italy

Real Baby Distribuzione s.r.l.s.
silvia.ingravallo@realbaby.it
www.realbaby.it

Bulgaria

Silvex 1
vesela@silvex1.com
http://www.silvex1.com

Germany

Nordideen GmbH & Co. KG
info@nordideen.de
www.nordideen.de

Japan

T-Rex, Co. Ltd.
sales-1@t-rexbaby.co.jp
www.t-rexbaby.co.jp

Canada

Regal Lager, Inc.
support@lascal.zendesk.com
www.regallager.com

Greece

Kidscom SA
finance@kafounis.gr
www.kafounis.gr

Latvia

Tootiny
edwin.jonsson@tootiny.com
www.tootiny.com

China

Cute-Q Trading (Shanghai) Co. Ltd.
info@cute-q.com
www.cute-q.com

Hongkong / Macau

Lascal Limited
info@lascal.com.hk
www.lascal.net

Lithuania

Tootiny
edwin.jonsson@tootiny.com
www.tootiny.com

Cyprus

Xenofon Demetriades & Son Ltd
gkzorpas@cytanet.com.cy

Hungary

Brendon Gyermekarhazak Kft.
posch.szilvia@brendon.hu
www.brendon.hu

Luxembourg

Hebeco BVBA
info@hebeco.be
www.hebeco.be

CONTACT INFORMATION (M-U)

Malaysia

Infantree Pte Ltd
suzanne@infantree.net
www.infantree.net

Serbia

Kidscom SA
finance@kafounis.gr
http://www.kafounis.gr

Taiwan

Topping Prosperity Inc.
sales.iris@bnb.com.tw
www.bnb.com.tw

Malta

Rausi Co. Ltd
angelic@rausi.com.mt
www.rausi.com.mt

Singapore

Infantree Pte Ltd
suzanne@infantree.net
www.infantree.net

Taiwan

Evey Co., Ltd
jason@evey.com.tw
www.evey.com.tw

Netherlands

Hebeco BVBA
info@hebeco.be
www.hebeco.be

Slovakia

VISPA Nachod sro
pavelka@vispa.cz
www.vispa.cz

Thailand

Thai Soonthorn International
Trading Co., Ltd.
nfo@thaisoonthorninter.com
www.thaisoonthorninter.com

Norway

Norske Servicesystemer AS
eli@servicesystemer.no
www.servicesystemer.no

Slovenia

MAMI d.o.o.
info@mami.si
www.mami.si

Turkey

operaistanbul
info@operaistanbul.com
www.operaistanbul.com

Poland

Tootiny
biuro@tootiny.com
www.tootiny.com

South Korea

Penta Zone Inc.
pentazone@gmail.com
www.pentazone.co.kr

UK

Cheeky Rascals Ltd.
info@cheekyrascals.co.uk
www.cheekyrascals.co.uk

Portugal

Nikidom, S.L.
nikidom@nikidom.com
www.nikidom.com

Spain

Nikidom, S.L.
nikidom@nikidom.com
www.nikidom.com

Ukraine

Tootiny
edwin.jonsson@tootiny.com
www.tootiny.com

Romania

Kidscom SA
finance@kafounis.gr
www.kafounis.gr

Sweden

Carlo i Jönköping AB
info@carlobaby.com
webshop.carlobaby.com

USA

Regal Lager, Inc.
support@lascal.zendesck.com
www.regallager.com

Russia

INTERAMNA LTD
sadolin.jesper@gmail.com

Switzerland

BAMAG Babyartikel und
Mobel AG
tanja.herzog@babybamag.ch
www.babybamag.ch

Register online at www.lascal.net/web/register or by registration card/post

PRODUCT REGISTRATION CARD / Registrační karta výrobku / KARTA ΕΓΓΡΑΦΗΣ ΠΡΟΪΟΝΤΩΝ / Karta rejestracyjna produktu / REGISTRERINGSKORT

Register your purchase at www.lascal.net/web/register or fill in and return this card by mail.
Zaregistrujte váš nákup na www.lascal.net/web/registraci, nebo kartu vyplňte a zašlete vašemu distributorovi.
Registrieren Sie Ihren Kauf unter www.lascal.se/web/register oder füllen Sie diese Karte aus und senden Sie diese per Post.
Registre su compra en www.lascal.net/web/register o rellene este formulario y envíelo por correo.
Enregistrez votre achat sur www.lascal.net/web/register ou complétez et renvoyez cette carte par la poste.
Καταχωρήστε την αγορά σας στο www.lascal.net/web/εγγραφέτε ή να την συμπληρώσετε και να την επιστρέψετε με τον τοπικό διανομέα σας.
Zarejestruj swój zakup na www.lascal.net/web/register lub wypełnij i odeślij kartę do lokalnego dystrybutora.
Registrera ditt inköp på www.lascal.net eller skicka ifyllt registreringskort till vår distributör/importör.

- En.** Registering is the only way to guarantee that Lascal will notify you in the unlikely event we need to issue a safety notification.
- Cz.** Registrace může zaručit, že Lascal vás informuje v případě informace o vydání bezpečnostních upozornění.
- De.** Eine Registrierung ist die einzige Möglichkeit Sie im unwahrscheinlichen Falle einer Rückrufaktion informieren zu können.
- Es.** El registrarse es la única garantía de que Lascal le notifique, si fuese necesario, la emisión de un certificado de seguridad.
- Fr.** L'enregistrement de votre achat vous garantit que Lascal vous tiendra informé dans le cas où un avis de sécurité serait publié.
- Gr.** Η εγγραφή είναι ο μόνος τρόπος για να διασφαλιστεί ότι Lascal θα σας ειδοποιήσει και στην απίθανη περίπτωση που θα πρέπει να εκδώσει μια ειδοποίηση ασφαλείας.
- Pl.** Rejestracja to jedyny sposób aby zagwarantować, że Lascal powiadomi cię gdyby, co jest mało prawdopodobne, musiał wydać informacje o bezpieczeństwie.
- Sv.** Din registrering gör det möjligt för oss, att ifall det helt oförmodat skulle uppstå ett fel på denna typ av produkt, kunna informera dig direkt.

Name / jméno / Nom / Nombre / Nom / Ονομα / Imię i nazwisko / Namn

Address / adresa / Adresse / Dirección / Adresse / Διεύθυνση / Adres / Address

City / město / Ort / Ciudad / Ville / Πόλη / Miasto / Stad

State / stát / staat / Provincia / Etat / κράτος /
Stan / stat

Postcode / směrovací číslo / Postleitzahl / Código postal / Code postal
Ταχυδρομικός τομέας / Kod pocztowy / Postnummer

Country / země / Land / País / Pays / Χώρα / kraj / Land

E-mail address / e-mailová adresa / E-mail address / E-mail / Email / Διεύθυνση E-mail / adres e-mail / E-mailaddress

Date of purchase
datum nákupu
Kaufdatum
Fecha de compra
Date d'achat
Ημερομηνία αγοράς
Data zakupu
Inköpsdatum

Serial number (see underside of the platform)
Sériové číslo (see underside of the platform)
Seriennummer (see underside of the platform)
número de serie (see underside of the platform)
Numéro de série (see underside of the platform)
tΑύξων αριθμός (see underside of the platform)
tNumer serijny (see underside of the platform)
Seriennummer (see underside of the platform)

KiddyGuard®
avant

Register online at www.lascal.net/web/register or by registration card/post

PRODUCT REGISTRATION CARD / Registrační karta výrobku / ΚΑΡΤΑ ΕΓΓΡΑΦΗΣ ΠΡΟΪΟΝΤΩΝ /
Karta rejestracyjna produktu / REGISTRERINGSKORT

Place
stamp
here

PRODUCT REGISTRATION CARD / Registrační karta výrobku /
ΚΑΡΤΑ ΕΓΓΡΑΦΗΣ ΠΡΟΪΟΝΤΩΝ / Karta rejestracyjna produktu /
REGISTRERINGSKORT

- En. To return this card by mail, please find the address of your national registration office on page 85-86, or register online at www.lascal.net
- Cz. Pro vrácení karty poštou, použijte prosím adresu vašeho místního distributora na straně 85-86, nebo registrujte online na www.lascal.net
- De. Möchten Sie diese Karte per Post einschicken, finden Sie das zuständige Büro auf den Seiten 85-86, oder registrieren Sie sich unter www.lascal.se.
- Es. Envíe esta tarjeta por correo, busque la dirección de su oficina en el registro de la página 85-86, o regístrese on-line en www.lascal.net
- Fr. Affranchissez cette carte et renvoyez la au distributeur de votre pays (voir liste en page 85-86, ou en ligne sur www.lascal.net
- Gr. Για να επιστρέψετε αυτή την κάρτα με το ταχυδρομείο, παρακαλώ βρείτε τη διεύθυνση του τοπικού γραφείου εγγραφής σας στη σελίδα 85-86, ή εγγραφείτε ηλεκτρονικά στη www.lascal.net
- Pl. W celu otrzymania zwrotu tej karty, proszę odszukać adres lokalnego biura rejestracji na stronach 85-86, lub zarejestrować się online www.lascal.net
- Sv. Returnera registreringskortet till distributören/importören i ditt land, se sid. 85-86, eller registrera direkt på www.lascal.net

Lascal

Please fold and seal with tape before mailing. Do not staple.
Prosím, složít a zapečetit lepicí páskou dříve, než mailem. Nenechte si sponku.
Bitte falten und mit Klebeband versiegeln. Bitte nicht tackern.
Por favor, doble y pegue esta tarjeta antes de enviarla. No utilizar grapas.
Plier et scotcher avant de poster. Ne pas agraffer.
Παρακαλούμε φορές και σφραγίζονται με κολλητική ταινία πριν ταχυδρομείου. Μην κλιν.
Proszę złożyć i zakleić taśmą przed wystaniem. Nie zszywki.
Vik och försegla med tejp innan utskick. Inte håfta.

KiddyGuard[®] avant[™]

Lascal[®]

Lascal Limited

Unit 2507, 25/F,
Kimberland Centre,
55 Wing Hong Street,
Hong Kong

E-mail: info@lascal.com.hk
website: www.lascal.net
www.kiddyguard.com

95200